

KOHLERengines



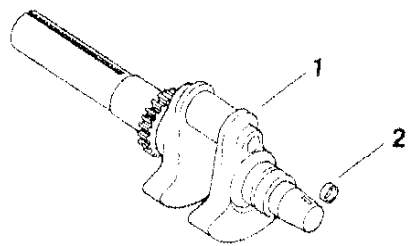
Preliminary parts manual command 18,20,22 HP+25



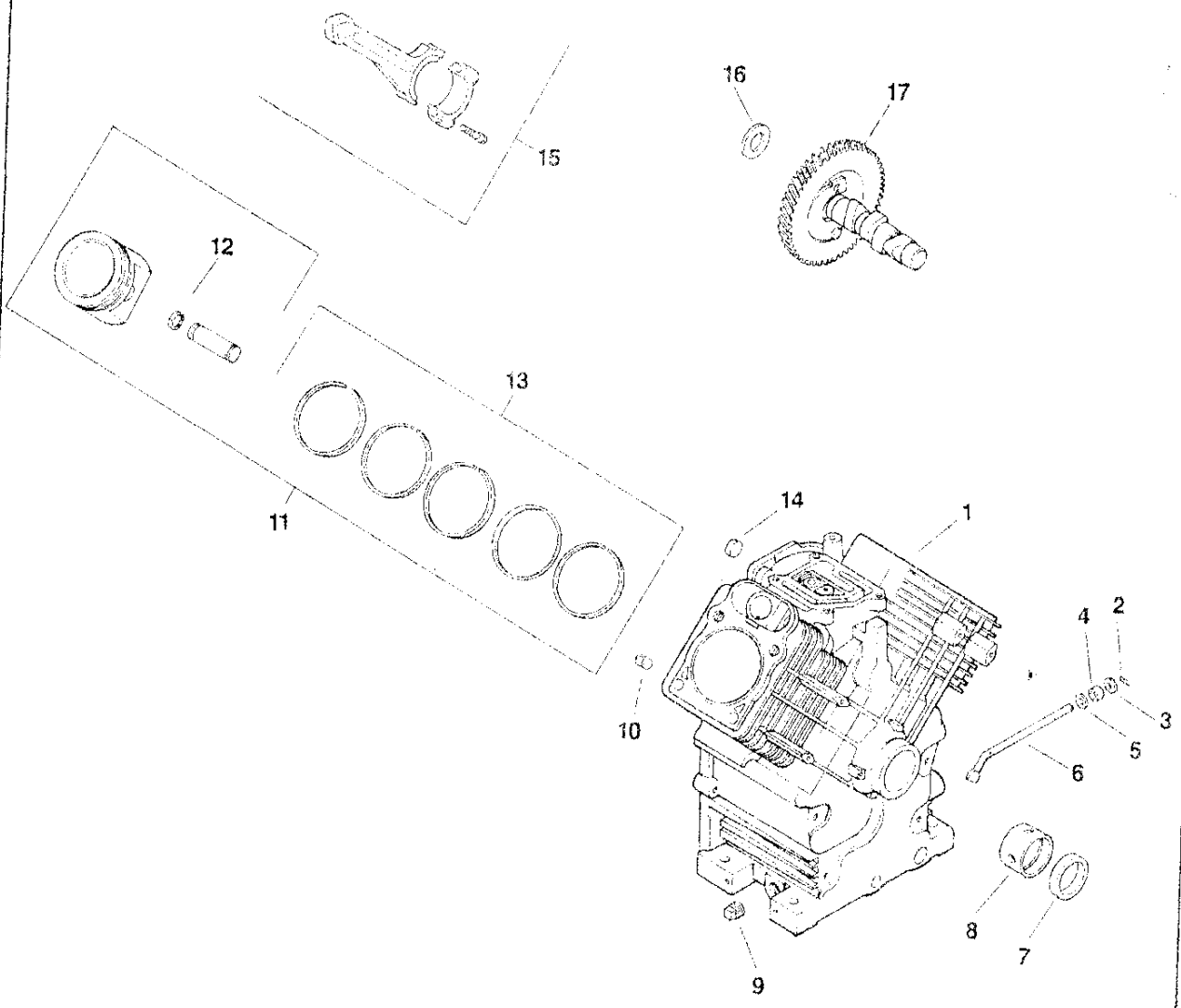
Laski s.r.o.
Smržice 263
Prostějov 798 17
tel. 00420 508 381 152
00420 508 381 250
fax. 00420 508 381 250

532

Group 1
CRANKSHAFT

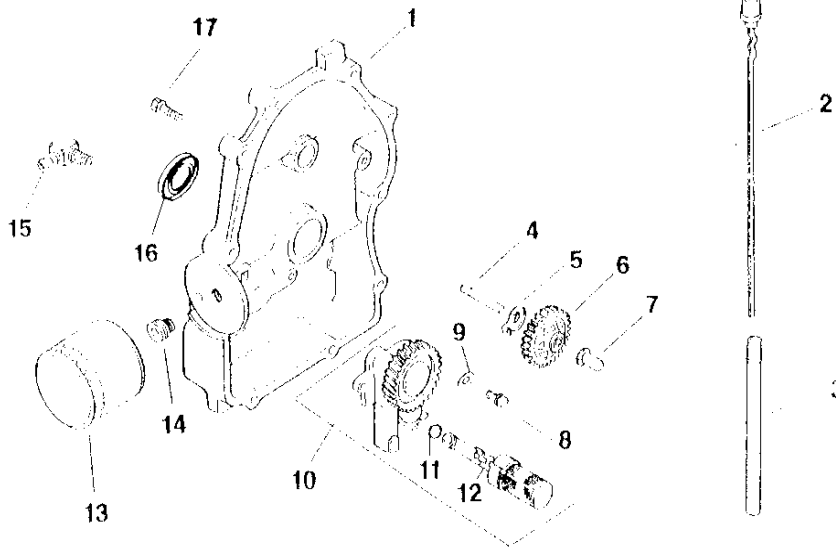


Group 2
CRANKCASE



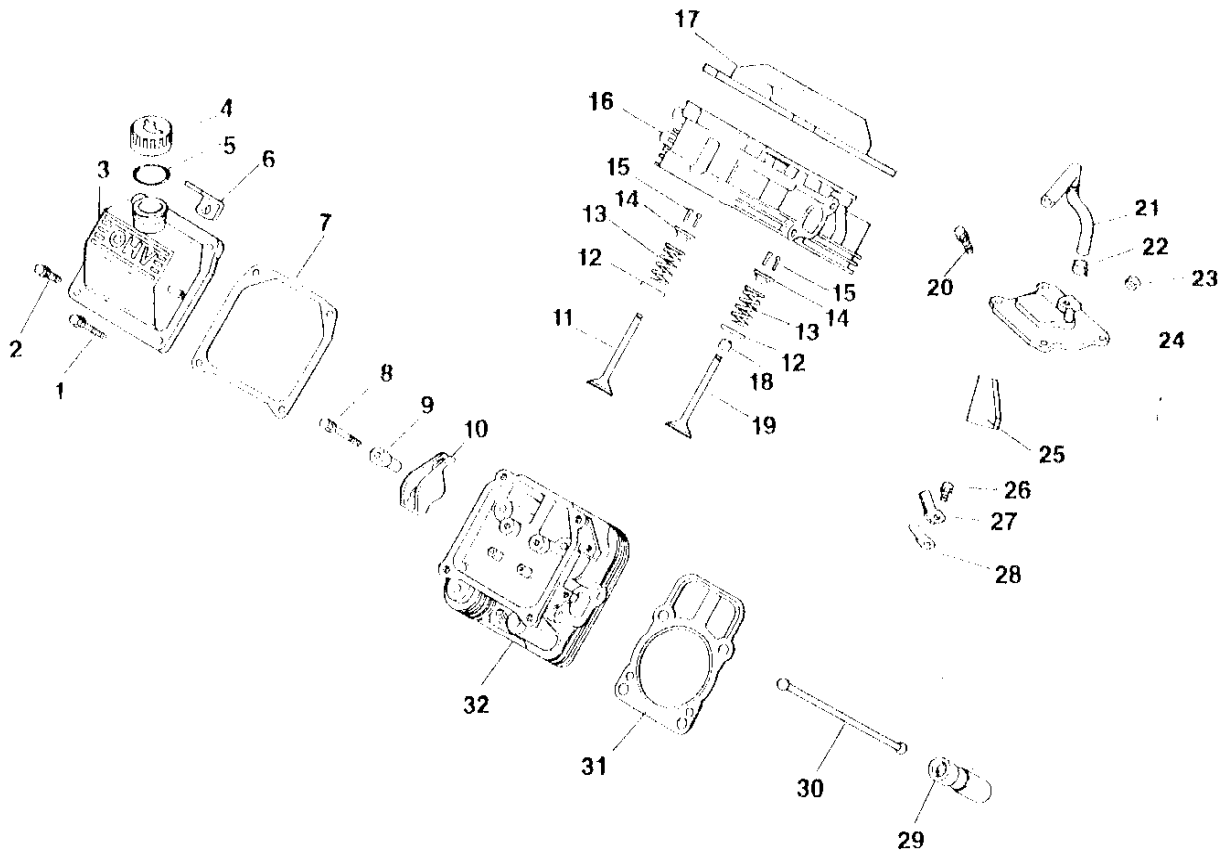
Group 3

OIL PAN/LUBRICATION

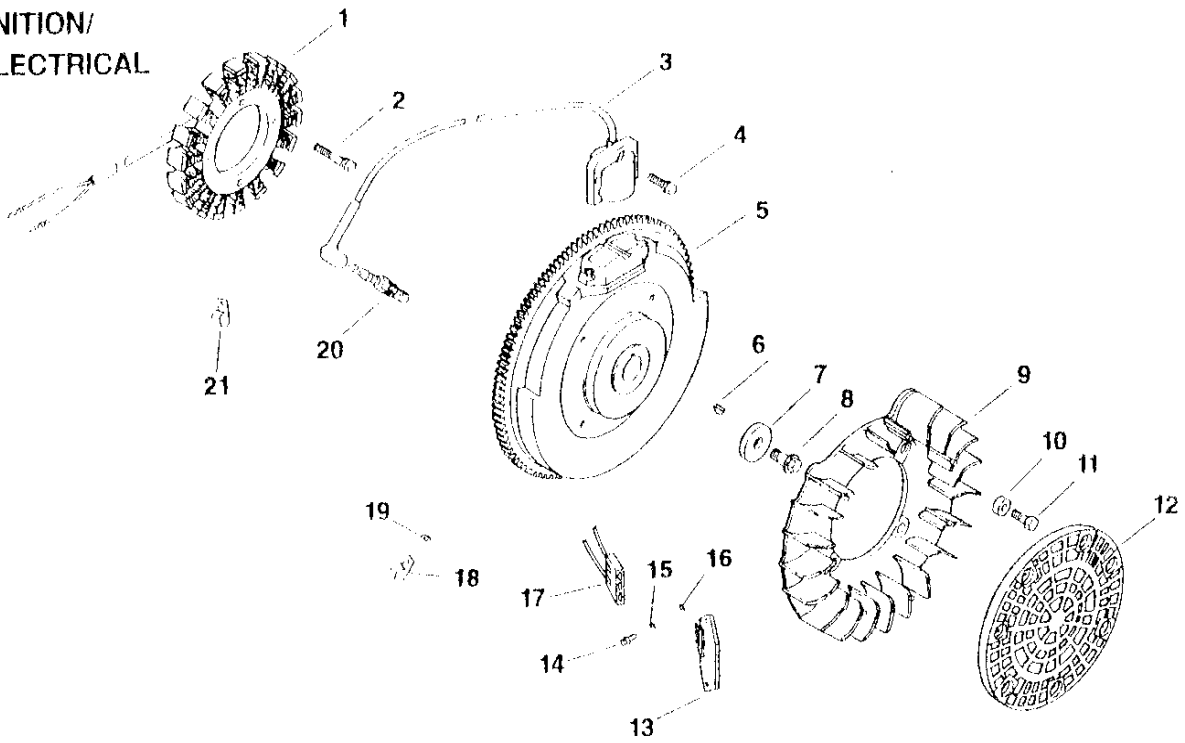


Group 4

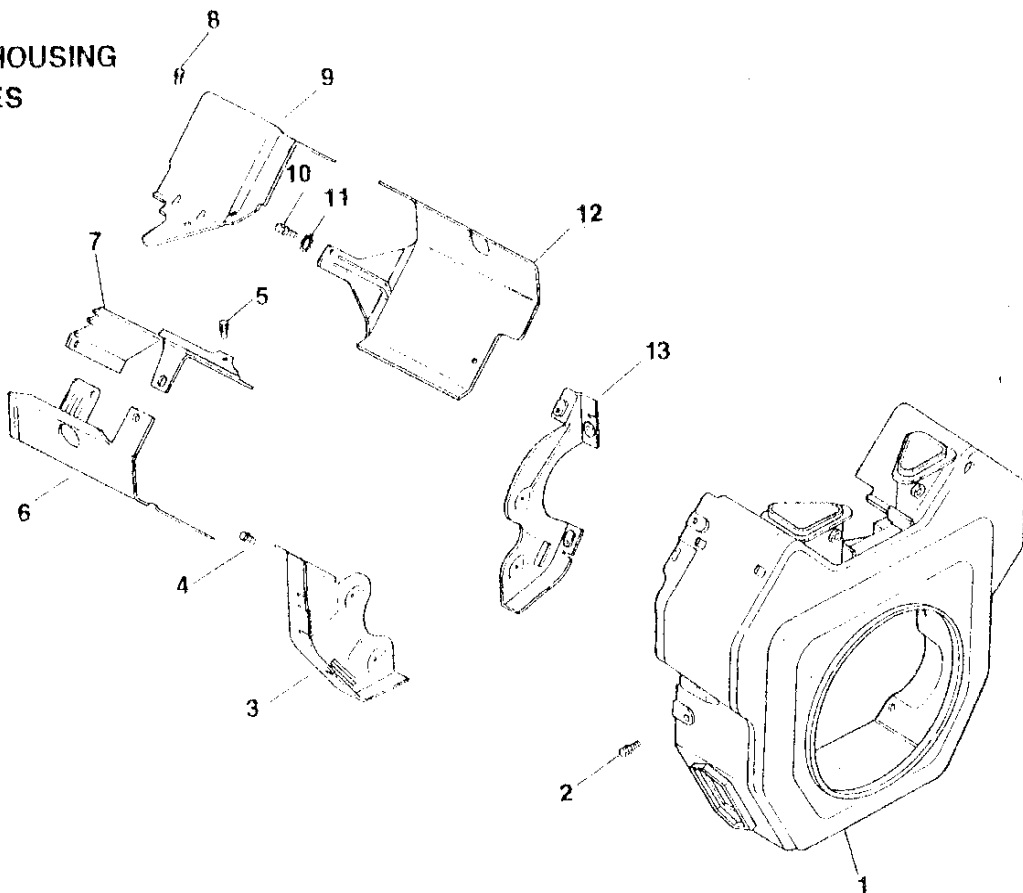
CYLINDER HEAD/VALVE/BREATHER



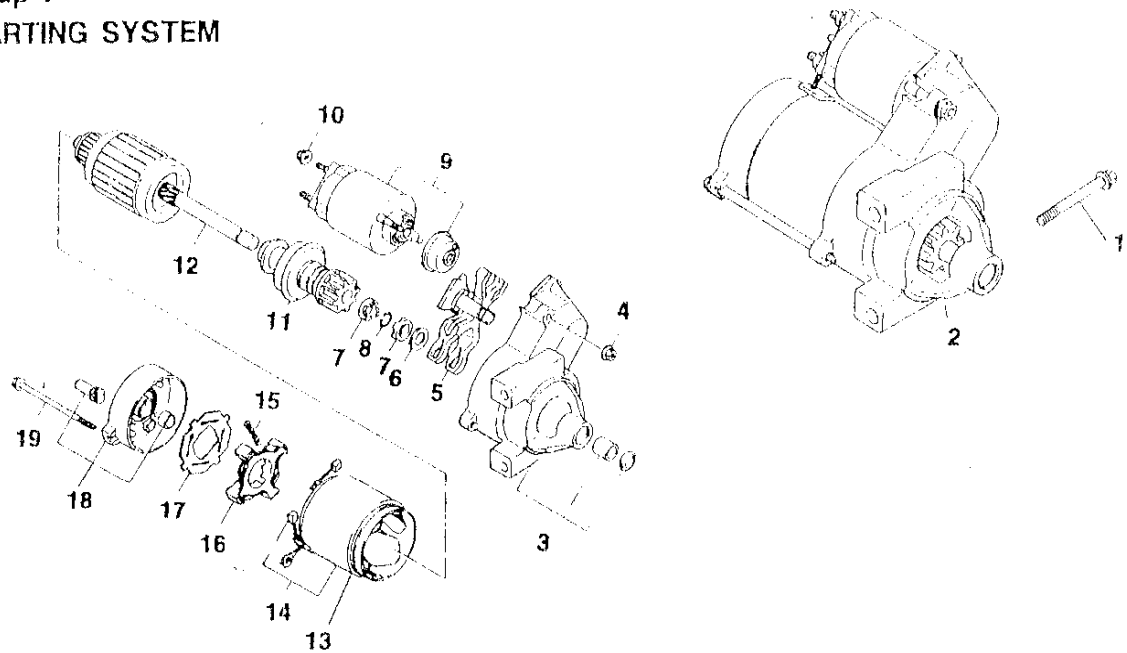
Group 5
IGNITION/
ELECTRICAL



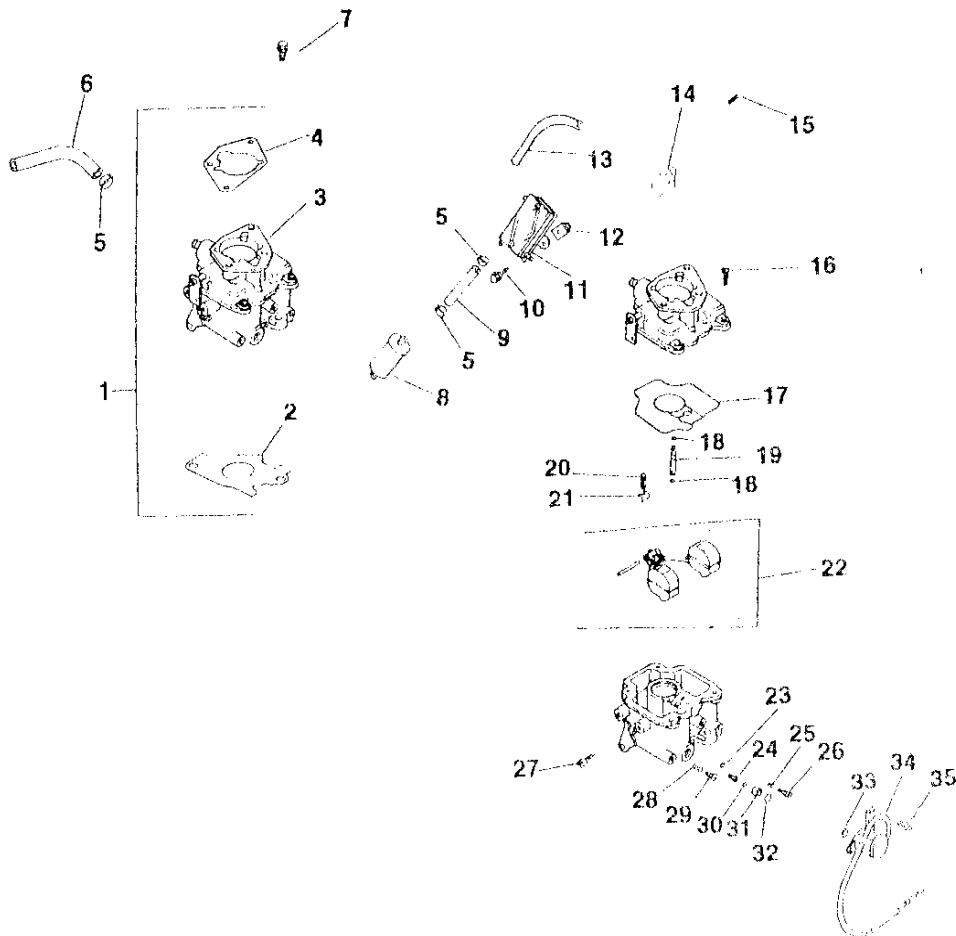
Group 6
BLOWER HOUSING
& BAFFLES



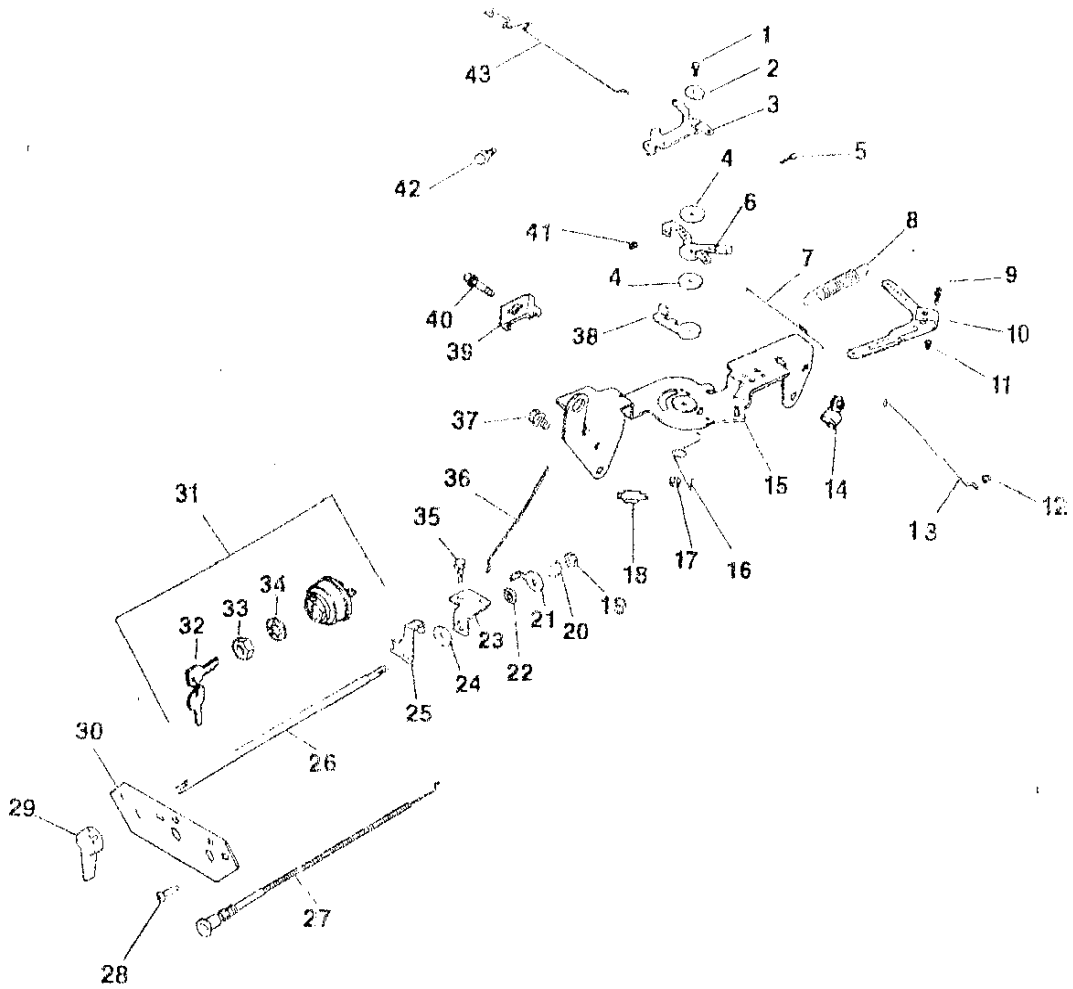
**Group 7
STARTING SYSTEM**



**Group 8
FUEL SYSTEM**



Group 9
ENGINE CONTROLS



CRANKSHAFT - Group 1

Crankshaft	24 014 40
Bearing, thrust	24 030 08
Shim, thrust	24 422 01
Shim, thrust	24 422 02
Shim, thrust	24 422 03
Washer, thrust	24 468 04
Plug, cup	52 139 09

CRANKCASE - Group 2

Cylinder block (Use: Short Block)	
Shaft, governor cross	24 144 01
Seal, governor crosshaft	12 032 01
Washer, plain 1/4	X-25-102
Washer, plain 1/4	X-25-63
Pin, hitch	12 380 04
Seal, oil	24 032 01
Plug, sq. hd. solid 3/8 N.P.T.F. (2)	X-75-10
Camshaft	24 012 06
Shim, camshaft (A.R.)	12 422 09
Shim, camshaft (A.R.)	12 422 13
Shim, camshaft (A.R.)	12 422 07
Shim, camshaft (A.R.)	12 422 08
Shim, camshaft	12 422 10
Shim, camshaft (A.R.)	12 422 11
Shim, camshaft (A.R.)	12 422 12
Piston w/Ring Set (Std.) (2)	24 874 04
Retainer, piston pin (4)	24 018 01
Ring Set (Std.)	24 108 04
Connecting rod (Std.) (2)	24 067 01
Connecting rod (.25) (2)	24 067 02
Plug, cup	52 139 09
Pin, dowel locating (6)	12 380 03

OIL PAN/LUBRICATION - Group 3

Plate, closure	24 009 15
O-Ring	24 153 08
Tube, dipstick	24 123 08
Dipstick	24 038 05
Shaft, governor gear	12 144 02
Washer, flat (2)	SM-0631005
Governor gear assembly	24 043 11
Pin, governor regulating	12 380 01
Screw, M6x1.0x25 (2)	M-0645025
Tab, locking	52 448 02
Pick-up, oil	24 381 02
O-Ring, oil pick-up	24 153 01
Oil pump assembly - Gerotor	24 393 06
Filter, oil	12 050 01
Pin, dowel	12 380 03
Gasket, oil filter adapter	24 041 12
Reed, oil relief	24 402 02
Cooler, oil	24 594 04

Screw, hex. hd. 10-24x3/8	25 086 41
Nipple, oil filter	24 136 02
Switch, oil pressure	52 099 06
Seal, oil (PTO end)	52 032 08
Screw, closure plate M8x1.25x45 (10)	24 086 16
Connector, 90° hose	25 155 02
Clip, retaining (2)	24 154 02
Decal, oil sentry	25 113 05

CYLINDER HEAD/VALVE/BREATHER - Group 4

Head assembly, #2 cylinder	24 318 14
Screw, M10x1.5x91 (8)	12 086 16
Kit, retainer (4)	12 755 03
Cap, valve spring (4)	12 173 01
Spring, valve (4)	24 089 02
Retainer, spring (4)	52 018 01
Seal, valve stem (2)	24 032 05
Valve, intake (2)	24 017 01
Gasket, cylinder head (2)	24 041 16
Valve, exhaust (2)	24 016 01
Reed, breather	24 402 03
Retainer, breather reed	12 018 01
Screw, breather reed retainer M5x0.8x10	M-0545010
Kit, breather	24 033 01
Screw, M6x1.0x20 (4)	SM-0645020
Hose, breather	24 326 02
Clamp, breather	X-426-9
Screw, M6x1.0x30 (8)	M-0651030
Strap, lifting	12 445 05
Kit, oil fill cap	25 755 13
O-Ring, oil fill cap	12 153 03
Cover, rocker	24 096 11
Cover, rocker	24 096 12
Filter, breather	24 050 01
Screw, M6x1.0x34 (4)	M-0640034
Ball, pivot-rocker (4)	24 194 01
Kit, push rod	24 755 13
Rod, push (4)	24 411 02
Gasket, valve cover (2)	24 041 04
Arm, rocker (4)	24 186 02
Lifter, valve (4)	12 351 01
Head assembly, #1 cylinder	24 318 13

IGNITION/ELECTRICAL - Group 5

Stator - 15 amp	24 085 01
Screw, stator mtg. M5x0.8x25 (2)	M-0548025
Screw, flywheel mtg. M10x1.5x45.8	12 086 14
Washer, flywheel mtg.	12 468 03
Flywheel assembly	24 025 03
Key	X-42-15

BASIC "S" WITH PANEL

MODEL CH18S
SPEC 62501

CRANKSHAFT - Group 1

1 Crankshaft	24 014 02
2 Plug, cup	12 139 01

CRANKCASE - Group 2

1 Cylinder block (USE: Miniblock 24 782 01)	
2 Pin, hitch	12 380 04
3 Washer, plain	X-25-102
4 Seal, governor cross shaft	12 032 01
5 Washer	X-25-63
6 Shaft, governor cross	24 144 01
7 Seal, oil	24 032 01
9 Plug, sq. hd. solid 3/8 N.P.T.F. (2)	X 75-10
10 Pin, dowel locating (6)	12 380 03
11 Piston w/Ring Set (Std.) (2)	
(Includes 12-13)	24 874 01
Piston w/Ring Set (.25) (2)	24 874 02
Piston w/Ring Set (.50) (2)	24 874 03
12 Retainer, piston pin (4)	24 018 01
13 Ring Set (Std.)	24 108 01
Ring Set (.25)	24 108 02
Ring Set (.50)	24 108 03
14 Plug, cup	52 139 01
15 Connecting rod (Std.) (2)	24 067 01
Connecting rod (.25) (2)	24 067 02
16 Shim, camshaft (A.R.)	12 422 01
Shim, camshaft (A.R.)	12 422 13
Shim, camshaft (A.R.)	12 422 07
Shim, camshaft (A.R.)	12 422 03
Shim, camshaft (A.R.)	12 422 10
Shim, camshaft (A.R.)	12 422 11
Shim, camshaft (A.R.)	12 422 12
17 Camshaft	24 012 03

OIL PAN/LUBRICATION - Group 3

1 Plate, closure	24 009 12
2 Dipstick	24 038 01
3 Tube, dipstick	24 123 04
4 Shaft, governor gear	12 144 02
5 Tab, locking	52 440 02
6 Governor gear assembly	24 041 07
7 Pin, governor regulating	12 381 01
8 Screw, M6x1.0x25 (2)	M-0615325
9 Washer (2)	SM-0331005
10 Oil pump assembly (Includes 11-12)	24 353 03
11 O-Ring, oil pick-up	24 113 01
12 Pick-up, oil	24 301 01
13 Filter, oil	12 000 01
14 Adapter, oil filter	24 116 01
15 Connector, 90° hose	25 155 02
16 Seal, oil (PTO end)	52 032 08
17 Screw, closure plate M8x1.25x45 (10)	M-0839045

CYLINDER HEAD/VALVE/BREATHER - Group 4

1 Screw, M10x1.5x91 (8)	12 186 16
2 Screw, M6x1.0x30 (8)	M-0645030
3 Cover, rocker	24 096 06
4 Cap, oil fill tube	12 173 02
5 O-Ring, cap oil fill tube	12 153 03
6 Strap, lifting	12 445 05
7 Gasket, valve cover (2)	24 041 04
8 Screw, M6x1.0x34 (4)	M-0640034
9 Ball, pivot rocker (4)	24 094 01
10 Arm, rocker (4)	24 186 01
11 Valve, exhaust (2)	24 016 01
12 Retainer, spring (4)	52 018 01
13 Spring, valve (4)	24 089 02
14 Cap, valve spring (4)	12 173 01
15 Kit, retainer (4)	12 755 03
16 Head assembly, #1 cylinder	24 318 01

17 Cover, rocker	24 096 07
18 Seal, valve stem (2)	12 032 02
19 Valve, intake (2)	24 017 01
20 Screw, M6x1.0x20 (4)	SM-0645020
21 Hose, breather	24 326 02
22 Clamp, breather	X-426-9
23 Plug, hex. ctsk. 1/8 N.P.T.F.	X-75-23
24 Kit, breather	24 033 01
25 Filter, breather	24 050 01
26 Screw, breather reed retainer M5x0.8x10	SM-0545010
27 Retainer, breather reed	12 018 01
28 Reed, breather	12 402 01
29 Lifter, valve (4)	12 351 01
30 Rod, push (4)	24 411 01
31 Gasket, cylinder head (2)	24 041 08
32 Head assembly, #2 cylinder	24 318 02

IGNITION/CHARGING - Group 5

1 Stator - 15 amp	41 085 07
2 Screw, stator mtg. M5x0.8x25 (2)	M-0548025
3 Module, ignition (2)	24 584 01
4 Screw, ignition module M5x0.8x20 (4)	SM-0545020
5 Flywheel assembly	24 025 01
6 Key	X-42-15
7 Washer, flywheel mtg.	12 468 03
8 Screw, flywheel mtg. M10x1.5x45.8	12 086 14
9 Fan	24 157 01
10 Spacer, fan (4)	12 112 01
11 Screw, M6x1.0x16 (4)	M-0639016
12 Screen, grass	24 162 03
13 Regulator-rectifier	25 403 03
14 Screw, philips (2)	24 086 06
15 Washer, plain 1/4	X-25-63
16 Washer, plain (2)	X-25-92
17 Connector, regulator-rectifier	236602
18 Clip, cable	235173
19 Washer, plain 1/4	X-25-63
20 Spark plug (2)	12 132 02
21 Clip, cable	48 154 02

NOT ILLUSTRATED

Harness, wiring	24 176 05
Lead, green, (reg. or ch. 3" - 18 gauge - insulated grip barrel eyelets)	24 518 04
Retainer (3)	24 018 03

BLOWER HOUSING & Baffles - Group 6

1 Housing, blower	24 027 02
2 Screw, M5x0.8x16 (5)	M-0549016
3 Plate, backing - #1 side	24 146 02
4 Screw, M6x1.0x11 (4)	SM-0645016
5 Screw, M6x1.0x11 (2)	M-0649016
6 Baffle, cylinder barrel - #1 side	24 063 08
7 Baffle, valley - #1 side	24 063 02
8 Screw, M5x0.8x10 (2)	M-0549010
9 Baffle, valley - #2 side	24 063 01
10 Screw, M5x0.8x16 (2)	M-0549016
12 Baffle, cylinder barrel - #2 side	24 063 07
13 Plate, backing - #1 side	24 146 01

NOT ILLUSTRATED

Decal, horsepower	24 113 01
Screw, M5x0.8x11	M-0551016

STARTING SYSTEM - Group 7

1 Screw, M8x1.25x50.6 (2)	M-0839080
2 Starter, solenoid shift (includes 3-19)	12 098 03
3 Cap, drive end	52 100 02
4 Nut, starter (2)	12 090 10
5 Lever, starter drive	

MODEL CH18S

SPEC 62501

BASIC "S" WITH PANEL

6	Washer, thrust	52 468 14
7	Nut, stop collar (2)	52 103 08
8	Ring, retainer	52 141 03
9	Solenoid	52 435 02
10	Nut, starter	52 100 09
11	Drive, pinion	12 239 01
12	Armature, starter	12 170 03
13	Frame	12 471 01
14	Kit, brush (Includes 15)	52 221 01
15	Spring, brush	52 089 09
16	Holder, brush	52 323 03
17	Insulator	52 168 01
18	Cap, commutator end	12 301 01
19	Bolt, thru (2)	52 211 05

NOT ILLUSTRATED

Nut, M8x1.25	M 0841080
--------------	-----------

FUEL SYSTEM - Group 8

1	Kit, carburetor w/gasket (Includes 2-4)	24 853 04
2	Gasket, carburetor	24 041 07
3	Carburetor assembly (for information only not available separately) (Includes 16-35)	24 053 04
4	Gasket, air cleaner	24 041 06
5	Clamp, hose (6)	X-426-9
6	Line, fuel 9"	25 353 10
7	Screw, M6x1.0x18 (2)	M-0651030
8	Filter, fuel	25 050 02
9	Line, fuel 3-1/2"	25 353 15
10	Screw, hex. cap. (2)	24 085 12
11	Pump, fuel - pulse	24 393 04
12	Nut (2)	24 100 01
13	Line, fuel	24 353 02
14	Clip, cable	47 154 01
15	Screw, M6x1.0x10	M-0650012
16	Screw, carburetor body (4)	24 086 09
17	Gasket, carburetor body	24 041 09
18	O-Ring, slow jet (2)	24 153 02
19	Jet, slow	24 337 01
20	Valve, inlet needle	24 462 01
21	Clip, inlet needle valve	24 154 01
22	Kit, float repair	24 757 02
23	O-Ring, main jet	24 153 03
24	Jet, main	24 337 02
25	Spring, idle adjust	24 089 11
26	Needle, idle adjust	24 368 01
27	Screw, throttle stop	24 086 05
28	Spring, idle speed adjust	24 089 10
29	Screw, idle speed adjust	24 086 10
30	O-Ring	24 153 06
31	Seat, solenoid	24 521 01
32	O-Ring	24 153 05
33	O-Ring, solenoid	24 153 04
34	Solenoid	24 435 01
35	Screw, solenoid (2)	24 086 07

NOT ILLUSTRATED

Kit, carburetor repair	24 757 03
Kit, solenoid assembly	24 757 01
Kit, high altitude (1500 meters)	24 755 01
Kit, high altitude (3000 meters)	24 755 02

ENGINE CONTROLS - Group 9

1	Screw, M5x0.8x20	SM-0545020
2	Washer, wave	41 468 03
3	Lever, choke	24 090 05
4	Washer (3)	24 468 01
5	Screw, M4x0.7x23.5 (2)	M-0401025

6	Lever, throttle control	24 090 03
7	Spring, linkage	24 089 01
8	Spring, governor	24 089 15
9	Screw, M6x1.0x25	SM-0642025
10	Lever, governor	24 090 08
11	Nut, M6x1.0	SM-0641060
12	Bushing, linkage retaining	25 158 08
13	Linkage, throttle	24 079 01
14	Bushing, linkage retaining	25 158 11
15	Bracket, control	24 126 13
17	Nut, M5x0.8	M-0547050
18	Switch, kill	25 099 12
19	Nut, hex	M-0647080
21	Tab, locking	52 448 02
23	Bracket, speed control shaft	24 126 06
25	Lever, speed control shaft	24 090 06
26	Shaft, speed control	24 144 03
27	Cable, choke	24 225 01
28	Screw, phillips (2)	24 086 06
29	Knob, speed control	24 341 01
30	Panel, control	24 378 01
31	Key switch assembly (Includes 32-34)	25 099 04
32	Key (Set of 2)	48 340 01
33	Nut, key switch	48 100 01
34	Washer	48 468 02
35	Screw, M5x0.8x10 (2)	SM-0545010
36	Linkage, speed control	24 079 03
37	Screw, M6x1.0x16 (4)	SM-0645016
38	Lever, throttle actuator	24 090 07
41	Nut, hex M4x0.7 (2)	M-0446030
42	Screw, M5x0.8x16	SM-0545016
43	Linkage, choke	24 079 02

NOT ILLUSTRATED

Decal, keyswitch	24 113 03
Decal, control panel	24 113 06
Spacer	12 112 01
Washer, wave (2)	24 468 03
Spacer	25 431 01
Washer, plain 3/8	X-25-37
Washer, plain 1/4	X-25-63
Nut, hex. 3/8-24	X-63-4

AIR INTAKE/FILTRATION - Group 10

1	Manifold, intake	24 164 01
2	Screw, M6x1.0x18 (4)	M-0639055
3	Gasket, intake manifold (2)	24 041 01
4	Gasket, air cleaner base	24 041 06
5	Base, air cleaner	24 094 03
6	Bracket, air cleaner	24 126 01
7	Screw, M6x1.0x13 (3)	M-0639016
8	Element, air cleaner	47 083 03
9	Element, precleaner	24 089 02
10	Cover, inner air cleaner	24 096 01
11	Seal, air intake	24 032 03
12	Wing nut	12 190 01
13	Pin, latch lever (2)	24 380 03
14	Latch, lever (2)	24 344 01
15	Spring, latch (2)	24 089 04
16	Cover, air cleaner	24 086 08

NOT ILLUSTRATED

Kit, air cleaner cover	24 743 01
------------------------	-----------

EXHAUST - Group 11

1	Stud, exhaust M8x1.25x20 (4)	M-0829033
Short Block	24 522 01	
Miniblock	24 782 01	
Gasket Set	24 755 03	

Bushing, linkage retaining	25 158 08
Bushing, linkage retaining	25 158 11
Panel, control	24 378 01
Linkage, speed control . . .	24 079 03
Screw, phillips (2)	24 086 06
Spacer	12 112 01
Lever, speed control shaft	24 090 06
Bracket, speed control shaft	24 126 06
Shaft, speed control	24 144 18
Knob, speed control	24 341 01
Washer, wave (2)	24 468 03
Key switch assembly	25 099 04
Nut, key switch	48 100 01
Key (Set of 2)	48 340 01
Washer	48 468 02
Spacer	25 431 01
Tab, locking	52 448 02
Screw, M5x0.8x10 (2)	M-0545010
Nut, hex	M-0647060
Washer, plain	X-25-37
Cable, choke	24 225 01
Washer, plain	X-25-63
Nut, hex	X-83-4
Decal, key switch	24 113 03
Decal, control panel	24 113 06

AIR INTAKE/FILTRATION - Group 10

Gasket, air cleaner base	24 041 06
Base, air cleaner	24 094 04
Screw, air cleaner base M6x1.0x16 (3)	M-0645016
Bracket, air cleaner base	24 126 21
Wing nut	12 100 01
Seal, air intake	230046
Element, precleaner	24 083 05
Cover, inner air cleaner	24 096 01
Element, air cleaner	24 083 03
Kit, air cleaner cover	24 743 02
Spring, latch (2)	24 089 04
Latch, lever (2)	24 344 01
Pin, latch lever (2)	24 380 03
Gasket, intake manifold (2)	24 041 01
Manifold, intake	24 164 14
Screw M6x1.0x18 (4)	M-0639055

EXHAUST - Group 11

Stud, exhaust M8x1.25x20 (4)	M-0829033
---	-----------

Gasket Set	24 755 03
----------------------	-----------